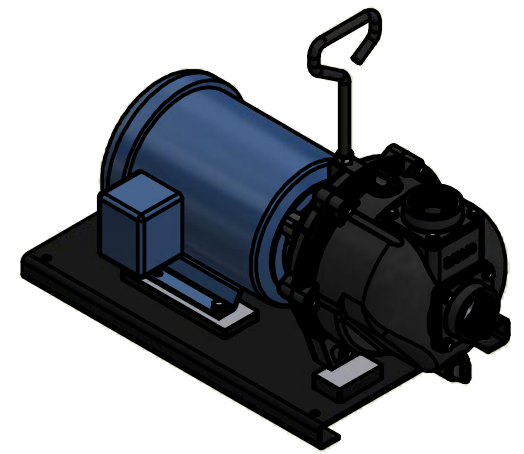



Parts List				
ITEM	QTY	PART NUMBER	DESCRIPTION	
1	1	12046	56C ADAPTER PLATE	
2	1	12705	PUMP CHECKVALVE, EPDM	
3	9	12715A	5/16-24 X 1 3/4" HHCS WITH TORQ-PATCH	
4	4	12717	#11 O'RING, EPDM	
5	1	12719A	#375 O'RING, EPDM	
6	1	12733V	MECH SEAL ASSY - FKM	
7	1	12765A	5/16-24 X 1 1/8" HFS	
8	4	12901	5/16" FLAT WASHER	
9	1	12902A	3/16" SQ. X 5/8" KEY	
10	1	12910	DECAL (N/S)	
11	2	13777	3/4" DRAIN PLUG	
12	2	13778	#119 O'RING, EPDM	
13	1	15022	2" PUMP HANDLE	
14	1	15702	2" CI PUMP VOLUTE	
15	1	15703	2" CI REAR BRACKET	
16	1	15712	2" CI PUMP BODY ASSY	
17	2	15751	REAR BRACKET SHIM	
18	1	15772	5 VANE IMPELLER	
19	1	17010	1/2-13 HEX NUT	
20	4	17029	5/16-18 X 1.75" HHCS	
21	1	17701	BASE PLATE	
22	8	17704	3/8-16 X 1 1/4" HHCS	
23	1	A204	#204 O'RING, EPDM	
24	1	BEM51-182CZ	5 HP MOTOR, 1 PHASE	
25	9	V10118	5/16" LOCKWASHER	
26	8	V20018	3/8" LOCKWASHER	



THIS DRAWING AND ALL INFORMATION CONTAINED THEREON ARE THE EXCLUSIVE PROPERTY OF BANJO CORPORATION.

UNLESS SPECIFICALLY NOTED, THIS DRAWING AND ITEMS SHOWN ON THIS DRAWING ARE SUBJECT TO CHANGE AT ANY TIME.



BANJO CORPORATION

150 BANJO DRIVE, CRAWFORDSVILLE, IN 47933
 WEB SITE: WWW.BANJOCORP.COM
 E-MAIL: BANJOSALES@IDEXCORP.COM

DESCRIPTION
2" CI PUMP W/ 5HP ELEC. MOTOR

PART NUMBER
222PIE51